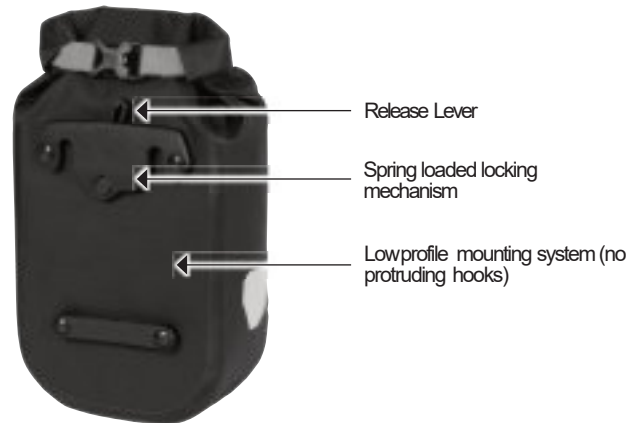


# PRODUCT INFO

## FORK-PACK

Waterproof fork bag with roll closure



- QLS system
- IP 64
- PS21R
- PS33
- PFAS free
- PVC free



Quick-Lock S adapter plate incl. mounting accessories (included in delivery)



height cm/in.	width cm/in.	depth cm/in.	vol L/cu.in.	weight g/oz.	max. load kg/ lbs
28/11.0	17,5/6.9	11/4.3	4,1/250	290/10.2 (adapter included)	3/6.6
30,5/12.0	19,5/7.7	13/5.1	5,8/350	315/11.1 (adapter included)	3/6.6

### SPECIFICATIONS:

- + Ultralight, waterproof bag (single pocket) with roll closure
- + The Fork-Pack is primarily designed for attachment to bicycle forks, but it can be mounted on non-tapered vertical tubes with a consistent diameter, e.g. Kick Style Scooters
- + Abrasion resistant PU-coated nylon fabric
- + Allows additional luggage to be carried on bikes using the Quick-Lock S (QLS) adapter system
- + Adapter is compatible with forks with eyelets and tubes with constant diameter from 30 mm to 42 mm
- + The Quick Lock S mounting bracket may be bolted directly to a forks with „braze-on“ eyelets or attached to vertical tubes using the supplied band-clamps. For carbon forks, only direct mounting is possible.
- + The three mounting points of the QL-Adapter follow the industry standard for fork eyelets and are approx. 64mm apart
- + Ultra fast installation, with one click the bag snaps in to place
- + The removal is just as fast, simply move the release lever and pull the bag upwards
- + The robust Quick-Lock S mounting plate remains mounted to the bicycle
- + Low profile locking elements ensure snag free use
- + Internal stiffener
- + Reflective ORTLIEB logo
- + Maximum load 3 kg / 6.6 lbs.

**Contents:** Fork-Pack (205g/7.2oz; 230g/8.1oz) with QL S adapter plate (85g/3.0oz), mounting accessories, hardware and instructions

**Optional accessories:** QL S Mounting-Set Fork-Pack (Art. E235) e.g. for use on a second bike; Fork-Pack Adapter 45° to 30° (No. E240) for adjusting the mounting angle of the QL S bracket on specific bicycle front forks

#### Attention:

- + Not suitable for mounting to carbon forks without „braze-on“ eyelets, tapered fork blades or frame tubes
- + If the product is completely submerged, water can penetrate through the closure

**Note:** In order to meet standard IP64 (6=dustproof, 4=protected against splash water coming from all directions) the roll closure must be rolled at least 3-4 times. Once submerged, the bag is not waterproof.



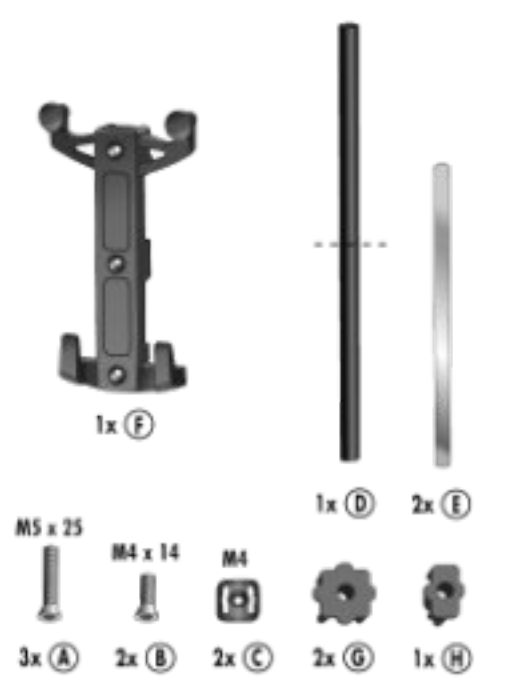
# FORK-PACK



- DE MONTAGEANWEISUNG
- GB ASSEMBLY INSTRUCTIONS
- FR INSTRUCTIONS DE MONTAGE
- IT ISTRUZIONI DI MONTAGGIO
- NL MONTAGE HANDLEIDING
- DK MONTERINGSVEJLEDNING
- ES INSTRUCCIONES DE MONTAJE
- SE MONTERINGSANVISNING
- NO MONTERINGSANVISNING
- FI ASENNUSOHJEET
- PL INSTRUKCJA MONTAŻU
- JP 装着方法



INHALT:  
CONTENTS:  
CONTENU:  
CONTENUTO:  
INHOUD:  
INDHOLD:  
CONTENIDO:  
INNEHÅLL:  
INNHOOLD:  
SISÄLLYS:  
ZAWARTOSC:  
内容物



**1**

Alu Steel } ✓ = O.K.  
Carbon } = O.K.

**1** ✓ = O.K. M5

**2** ✓ = O.K. M5

**3** ✓ = O.K. min. 150 mm 30 - 42 mm

**4** OPTION ACCESSORIES + = Art. # E240 ADAPTER 45° TO 30°

UN KRATZER ZU VERMEIDEN, BENUTZE RAHMENSCHUTZPOLIE AN DEN KONTAKTSTELLEN (siehe beiliegend). BENUTZE BEI CARBON-GABELN BITTE ZWINGEND DAS CARBON-SCHUTZEINLEIT G. TO AVOID SCRATCHES, USE ADHESIVE FRAME PROTECTION AT CONTACT POINTS (see included). FOR CARBON FORKS, PLEASE BE SURE TO USE THE CARBON FIBER PROTECTIVE INSERTS G AND H.

+3 x A

+1 x F

+1 x G

+1 x H

1,0 Nm

M5 ✓ = O.K.

**2**

a) +1 x A M5 +1 x G

b) +1 x B +1 x C +1 x D +1 x E

+1 x F

(->3.1 - 3.4)

1,0 Nm

M5 ✓ = O.K.

2,5 Nm

M4 ✓ = O.K.

**3**

30 - 42 mm ✓ = O.K.

UN KRATZER ZU VERMEIDEN, BENUTZE RAHMENSCHUTZPOLIE AN DEN KONTAKTSTELLEN (siehe beiliegend). TO AVOID SCRATCHES, USE ADHESIVE FRAME PROTECTION AT CONTACT POINTS (see included).

+2 x B

+2 x C

+1 x D

+2 x E

+1 x F

**3.1**

1,0 Nm

M5 ✓ = O.K.

2,5 Nm

M4 ✓ = O.K.

**3.2**

30 - 42 mm ✓ = O.K.

UN KRATZER ZU VERMEIDEN, BENUTZE RAHMENSCHUTZPOLIE AN DEN KONTAKTSTELLEN (siehe beiliegend). TO AVOID SCRATCHES, USE ADHESIVE FRAME PROTECTION AT CONTACT POINTS (see included).

+2 x B

+2 x C

+1 x D

+2 x E

+1 x F

**3.3**

max. 3/4

1/4

30 - 42 mm

1/2

1/2

1/2 D

1/2 D

110 °C 230 °F

= 1 min.

**3.2**

PRESS!

!

2 x

**3.3**

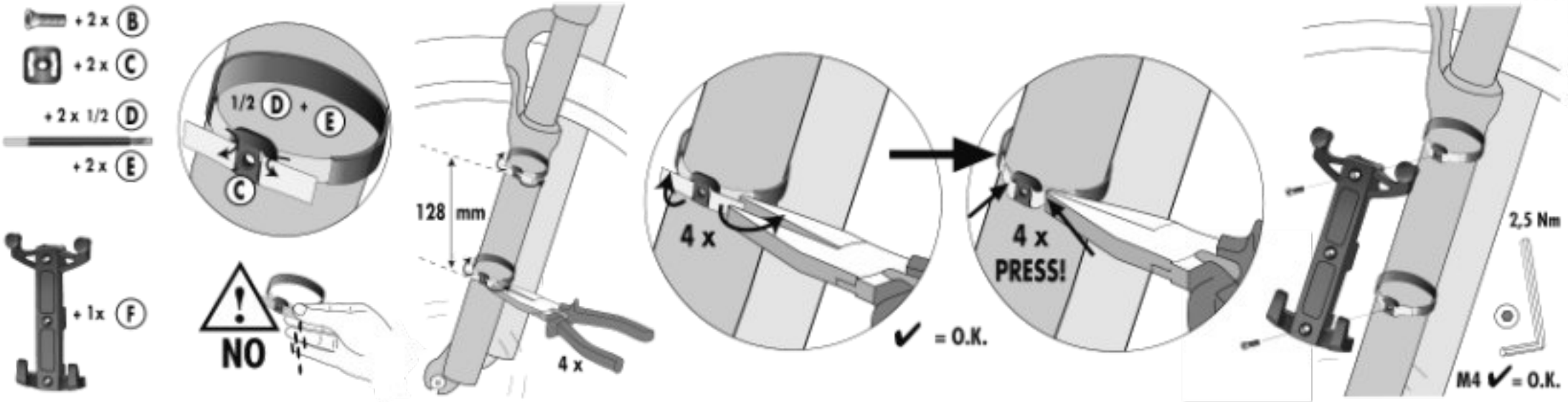
1/2 D

1/2 D

110 °C 230 °F

= 1 min.

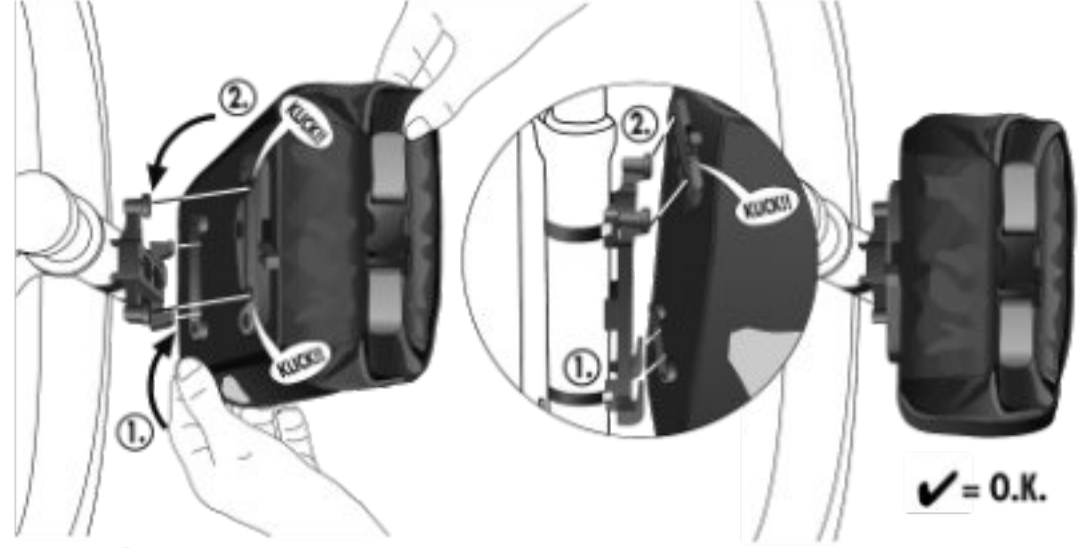
3.4.



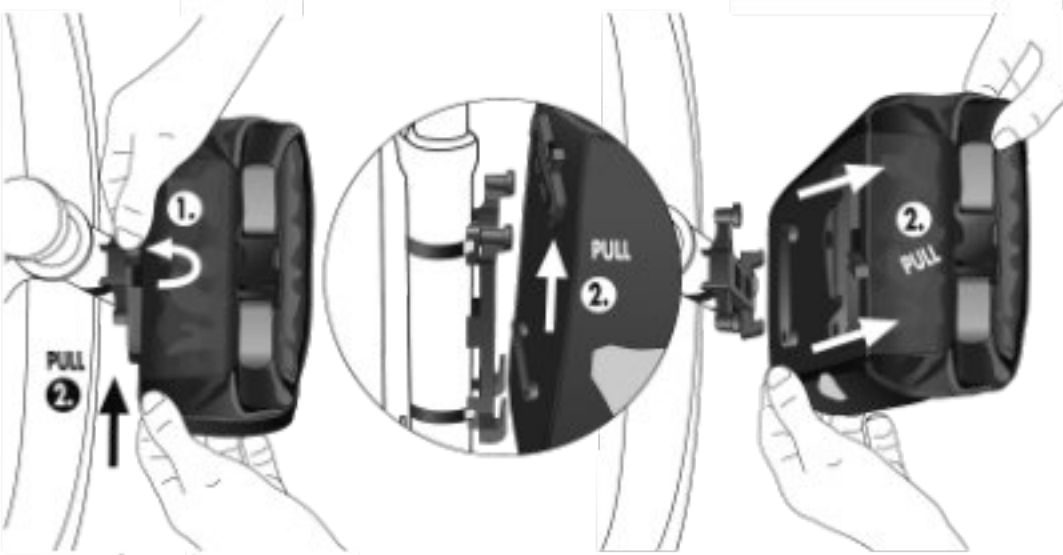
4. CLOSE



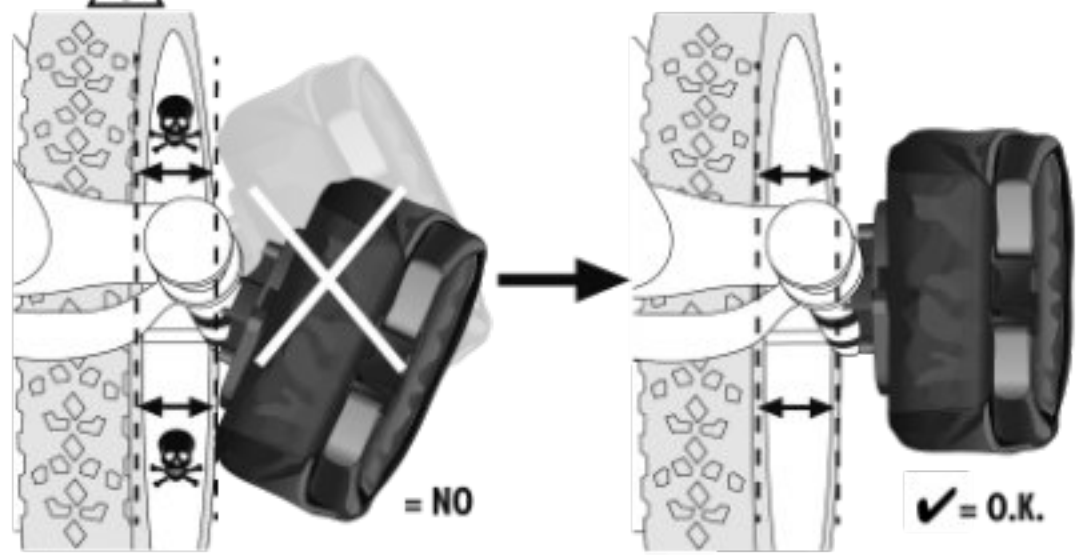
5. FIX



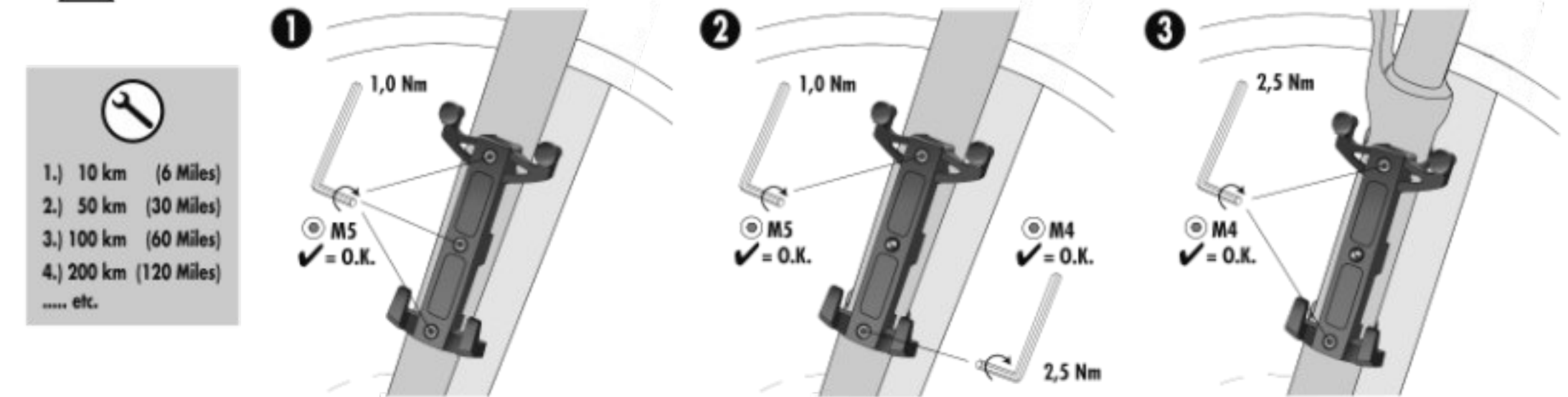
6. UNFIX



7.



8. ! CHECK FIXATION BEFORE EVERY RIDE!



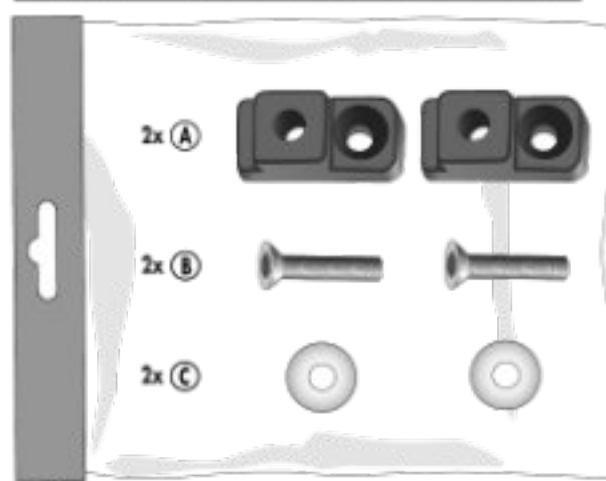
9.

ACCESSORIES

! = NO JUMP!



4 OPTION ACCESSORIES += Art. # E240 - ADAPTER 45° TO 30°



+= Art. # E235

