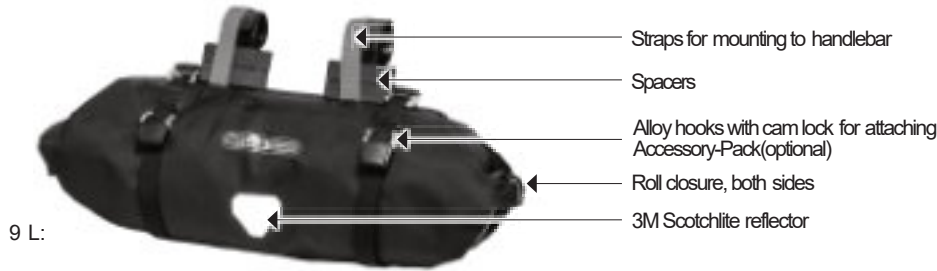
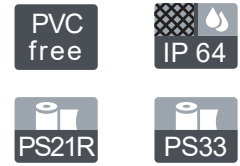


# PRODUCT INFO

## HANDLEBAR-PACK Waterproof handlebar bag



More capacity: Handlebar-Pack with Accessory-Pack(optional accessory) fixed by means of metal hooks



height cm/in	width cm/in.	depth cm/in.	vol. L/cu.in.	weight g/oz.	max. load kg/lbs.
16/6.3	40/15.7	16/6.3	9/549	375/13.2	5/11
20/7.9	58/22.8	20/7.9	15/915	420/14.8	5/11

### SPECIFICATIONS:

#### 9 L/ 15 L:

- + Waterproof luggage roll with roll closures on both sides for the handlebar
- + Ideal handlebar bag for bikepacking
- + Perfect for waterproof storage of soft items like clothes, sleeping bag or mattress (two openings)
- + Quick and easy two-way access
- + Light weight sturdy PU laminated rip stop nylon
- + 4 spacers and 2 straps with side release buckles and hook and loop fasteners to secure bag to handle bar
- + Strap with spacer for fixing to headtube
- + 4 alloy hooks with cam lock for adjusting the compression straps or fixing the Accessory-Pack(available separately)
- + Compression straps
- + Valve for quick and easy compression
- + Internal stiffener for increased stability
- + Can be mounted to carbon handlebars
- + Balanced weight distribution on bicycle
- + Reflector 3M Scotchlite

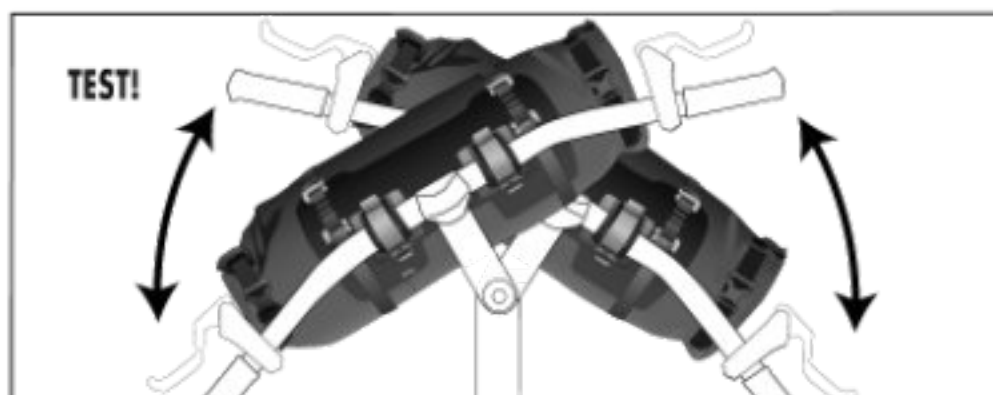
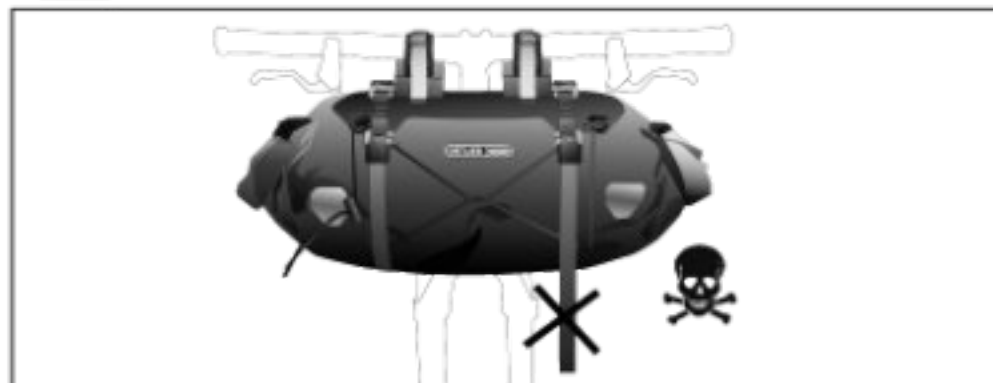
#### 15 L:

- + Elastic cords on the outside
- + 2 reflectors 3M Scotchlite

**Contents:** Handlebar Pack with compression straps, foam spacers, inner stiffener

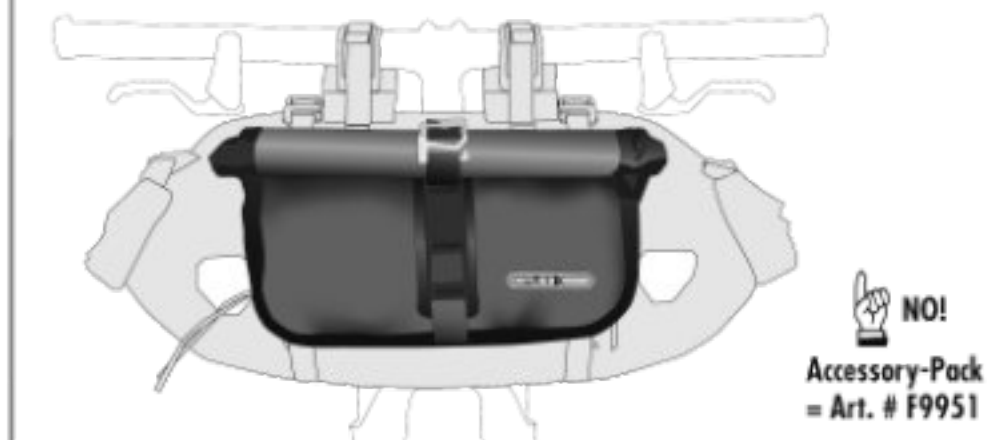
**Optional accessory:** Accessory-Pack

**Note:** In order to meet standard IP64 (6=dustproof, 4=protected against splash water coming from all directions) the closure must be rolled 3-4 times.



## ACCESSORIES

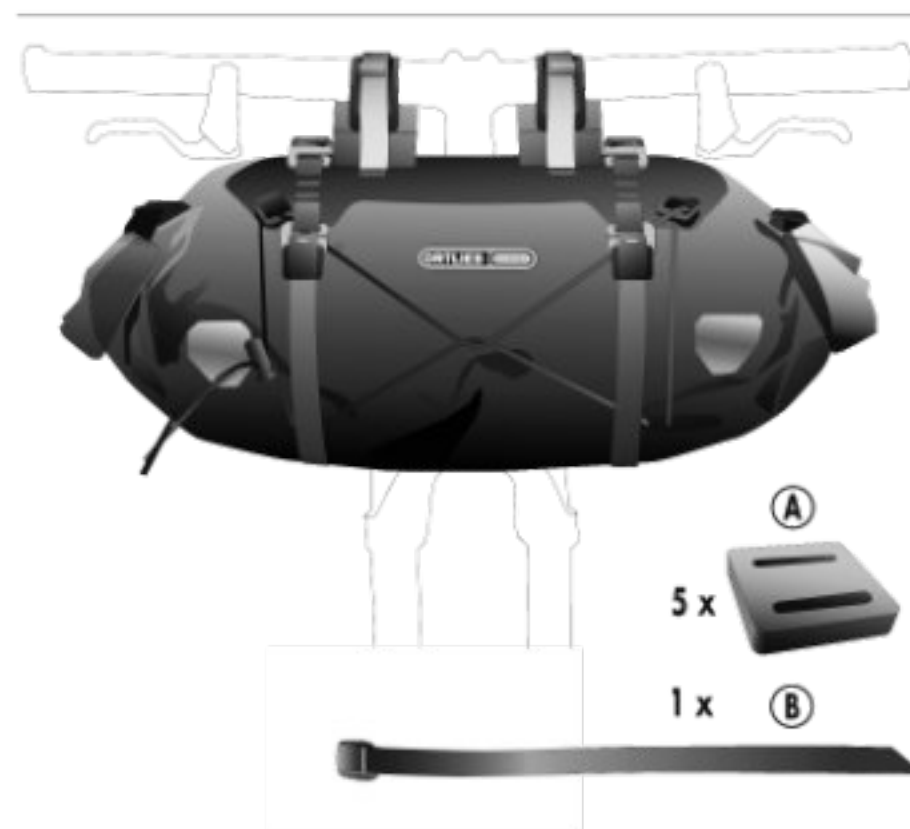
Accessory-Pack = Art. # F9952 ✓ = YES!



## HANDLEBAR-PACK 15 L

**ORTLIEB** WATERPROOF

- |                             |                         |                             |                          |
|-----------------------------|-------------------------|-----------------------------|--------------------------|
| <input type="checkbox"/> DE | MONTAGEANLEITUNG        | <input type="checkbox"/> ES | INSTRUCCIONES DE MONTAJE |
| <input type="checkbox"/> GB | ASSEMBLY INSTRUCTIONS   | <input type="checkbox"/> SE | MONTERINGSANVISNING      |
| <input type="checkbox"/> FR | INSTRUCTIONS DE MONTAGE | <input type="checkbox"/> NO | MONTERINGSANVISNING      |
| <input type="checkbox"/> IT | ISTRUZIONI DI MONTAGGIO | <input type="checkbox"/> FI | ASENNUSOHJEET            |
| <input type="checkbox"/> NL | MONTAGE HANDLEIDING     | <input type="checkbox"/> PL | INSTRUKCJA MONTAŻU       |
| <input type="checkbox"/> DK | MONTERINGSVEJLEDNING    | <input type="checkbox"/> JP | 装着方法                     |



WEITERE INFORMATIONEN:  
MORE INFORMATION:

<https://www.youtube.com/watch?v=CuNWYUYhSoM>

[www.ortlieb.com](http://www.ortlieb.com)



WA135 0820



UM KRATZER ZU VERMEIDEN, BENUTZE RAHMENSCHUTZFOLIE AN DEN KONTAKTSTELLEN (siehe beiliegend)  
 TO AVOID SCRATCHES, USE ADHESIVE FRAME PROTECTION AT CONTACT POINTS (see included)

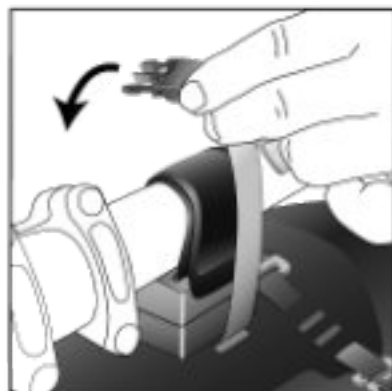
1.1



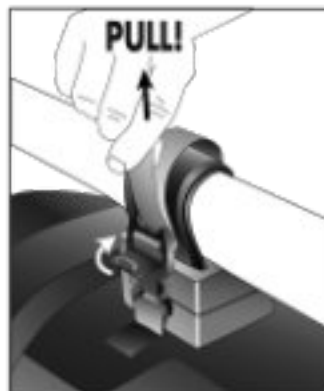
1.2



1.3



1.4



1.5



1.6



1.7



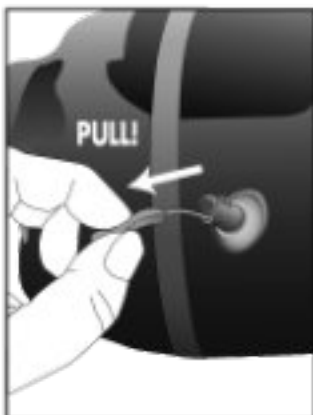
1.8



1.9



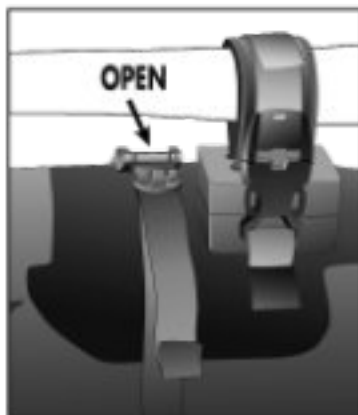
2.1



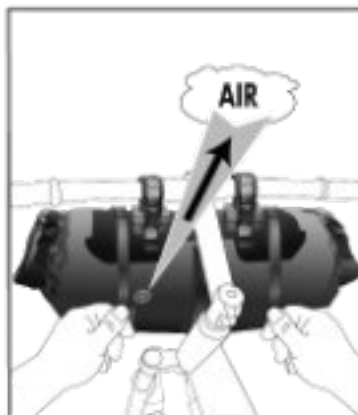
2.2



2.3



2.4



2.5



2.6

