

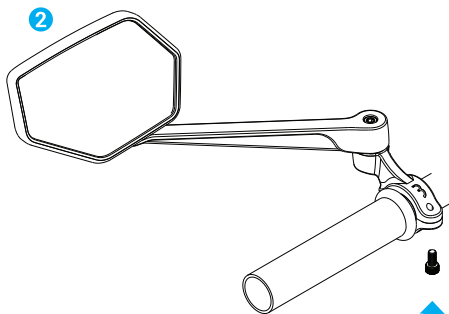
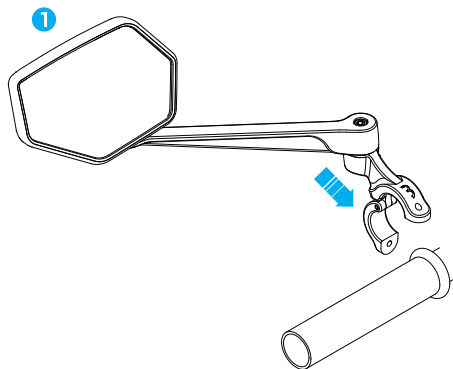
3



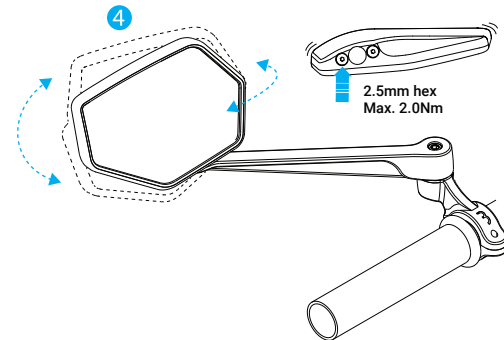
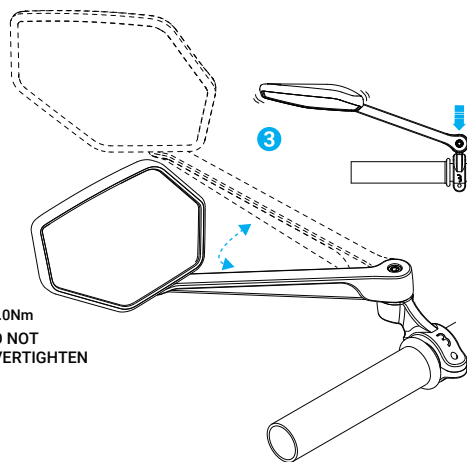
E-VIEW CLAMP

BBB /BBM-02

MOUNTING INSTRUCTIONS:



Max. 2.0Nm
DO NOT
OVERTIGHTEN



2.5mm hex
Max. 2.0Nm



3



E-VIEW CLAMP

BBB /BBM-02

MOUNTING INSTRUCTIONS:

